

# !!!! READ BEFOREHAND !!!!

\*\*\*\*\*  
**MD DATA File System for Windows95 Version 1.25**  
\*\*\*\*\*

This software implements MD DATA File System functions into Windows 95 system in order for exclusive use of Sony MDH-10 MD DATA drive under Windows95. This software is covered under License Agreement included in MDH-10 product "MD DATA Drive, Device Driver Software, File System and Utility Software END-USER LICENSE AGREEMENT INCLUDING LIMITED WARRANTY".

=====

## System Software

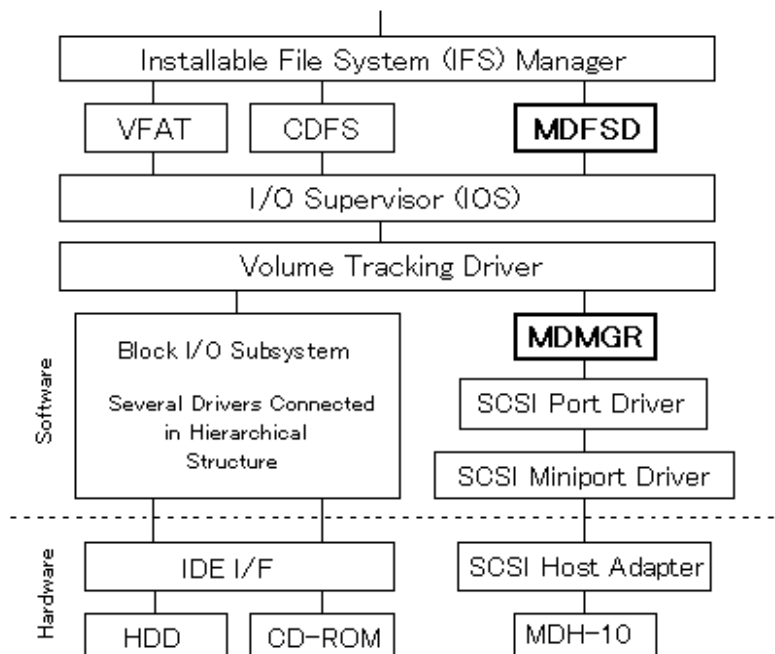
=====

The setup program will install the following files in your hard disk, when Windows95 system is in \Windows\ directory and MD DATA files are installed in \Mddata\.

MD DATA File System Driver	MDFSD.VXD in \Windows\System\Iosubsys\
MD DATA Type Specific Driver	MDMGR.VXD in \Windows\System\Iosubsys\
MD DATA Formatter	MDFMT.EXE, MDFMT.HLP in \Mddata\ (default)
MD DATA File System Checker	MDFSCHK.EXE in \Mddata\ (default)
MD DATA Document	README.WRI (This document) in \Mddata\ (default)

MDFSD and MDMGR operate in Block I/O Subsystem in hierarchical structure of Windows95 system from File System to SCSI Interface levels. (see diagram below) The File System Driver (MDFSD) and the Type Specific Driver (MDMGR) operate in Ring0 (the highest privilege) level.

As is shown in the diagram below, a SCSI Host Adapter, a SCSI Port Driver and a Miniport Driver for Windows95 have to be installed correctly. Check them installed in Control Panel /System /Device Manager. If you installed 16 bit (real mode) DOS version of MD DATA File System and SCSI drivers, be sure to REM out corresponding lines in "CONFIG.SYS" and "AUTOEXEC.BAT", because they should not coexist with this version.



=====

## Precaution

- =====
- > More than 16 MB of system memory is recommended. Any application requires appropriate memory space to avoid problems associated with file data damage.
  - > Use the included "MDFMT" and "MDFSCHK" utility to format and check MD DATA. Other formatter and Windows95 Format/ Scandisk function is not compatible with MD DATA File System.
  - > Do not format a disc while other application is accessing to the disc. Do not try to access a disc while formatting it.
  - > Contents of an MD DATA window may not be refreshed automatically when a file is copied or created. In those cases, use View/Refresh function or close and re-open the window.
  - > Contents of hard disk or other disks can be backed up to MD DATA with a backup function of Windows95. But this function is not compatible with a backup to plural MD DATA discs. Please divide files and directories to be backed up at one time to fit in the capacity of the MD DATA disc. When backup data exceeds the disc capacity, the data backed up so far will be lost at the moment.

=====

### Installation

=====

- 1 If 16 bit DOS drivers ("MDFSEX.EXE" and "MDMGR.EXE") are installed, open "AUTOEXEC.BAT" and REM out two lines that load "MDFSEX.EXE" and "MDMGR.EXE". Then open "CONFIG.SYS" and REM out a line that loads an ASPI manager for your SCSI host adapter.
- 2 If MD file system for Windows95 beta or beta1 version is installed, open "\\Control Panel\System\Device Manager\" while MDH-10 is recognized, select "SONY MDH-10" in "Disk Drive" or "Other Device", and click on "delete" button. Then open "\\Control Panel\Add/Remove Program\"", select "MD DATA" in the list and click on "Add/Remove" button.
- 3 Confirm SCSI board/card is operating in 32 bit mode by opening "\\ControlPanel\System\Device Manager\"", confirming SCSI board/card is shown in SCSI Controller, opening the property of SCSI board/card, and confirming whether SCSI board/card is operating without "!" or "?" mark.  
If SONY SCSI PC card RMD-K600 is used, install exclusive Miniport driver for Windows95 (see "RMD-K600 SCSI Card" section below).
- 4 **Do not connect** MD DATA drive to PC and restart Windows95.
- 5 Execute "SETUP.EXE" in the Installation Disk 1. Follow instructions of the setup software to install. Change for the Disk 2 when indicated in the middle of installation.
- 6 When the Setup is completed, go back to desktop by choosing "No, I will restart my computer later". Remove the Installation Disk2 from the floppy disk drive. Shut down Windows95 system and turn the PC power off.
- 7 Connect MDH-10 to the host PC. Slide "POWER/MODE" switch to "DATA" on the side of MDH-10 drive.
- 8 Restart the host PC.
- 9 While starting Windows95 system, you may get "New Hardware Found" dialog with "Unknown Device" message. In this case, select "Driver from disk provided by hardware manufacturer" and click "OK". Then insert the Installation Disk 1 and input drive letter (default "a:") and "OK". If you get "Select Device" dialog, select "mdh10us.inf" in model list and "OK". Go forward to start Windows95 system.
- 10 Confirm MD DATA drive existing in "My Computer" as a removable disk drive. Then open "\\Control Panel\System/Device Manager" and check indication of "SONY MDH-10" either under "Disk Drives" or "Other Device".

MD DATA drive can be used as a removable device. "MDFMT.EXE", "MDFSCHK.EXE" and "MDPLAY.EXE" utilities are registered in "\Start menu\Program\MDDATA\". Use the Start Menu to start these utilities.

=====  
**MD DATA Utilities**  
=====

MDFMT

MDFMT is an utility to initialize a disc in the MD DATA format.

MDFSCHK

MDFSCHK is an utility to check conformance of a disc with MD DATA format.

MDPLAY

MDPLAY is an utility to play audio MiniDisc.

After installation of MD file system, these utilities are registered in \Start Menu\ Program\ MDD ata\. Use this menu to start these utilities.

"MDFMT.EXE" and "MDFSCHK.EXE" include "Help" function and please refer to it for detail of operation.

"MDPLAY.EXE" does not include "Help" function. Insert audio MiniDisc, start "MDPLAY.EXE" and click on ">" button, then music play starts.

**Warning**

Avoid using headphones at high volume. Hearing experts advise against continuous, loud and extended play.

=====  
**Un-install**  
=====

When you need to remove the installed MD DATA File System from a Windows95 system, start "Add/Remove Programs" in "Control Panel", select "MD DATA" in the list and click on "Add/Remove" button.

=====  
**With RMD-K600 SCSI Card**  
=====

If you are using Sony RMD-K600 SCSI card, you need its Miniport driver for Windows95. Please contact us by E-mail or FAX attention to the address below.

Sony Data Storage Information  
E-mail "info-mdfs@sony.co.jp"  
Tel: +81-462-27-2588  
Fax: +81-462-27-2237

=====  
**Troubleshooting**  
=====

>When computer system is hanged up while starting PC.

If host PC is started without MD file system(MDFSD.VXD, MDMGR.VXD) installed and with MDH-10 powered, Windows95 system may be hanged up. Be sure to install MD file system before connecting MDH-10 to PC.

- >When MDH-10 is not recognized even MD file system for Windows95 is installed.  
SCSI card/board may not be operating normally. Open \Control Panel\System\ Device Manager\SCSI Controller\, and confirm SCSI card/board in use is operating normally without "!" or "?" mark. In case of any problem, please consult to the SCSI card/board manual or the manufacturer. There may be another possibility that download of the installation files or installation itself may be unsuccessful. In this case, start "Add/Remove Programs" in "Control Panel" and remove "MDDATA". Then retry download and installation of the MD file system.
- >When more than real number of MDH-10 drives are shown in "My Computer".  
The Miniport driver for SCSI card/board may cause the problem. Please consult to the SCSI card/board manufacturer.  
When PC is started with MDH-10 with SCSI ID 7, this kind of problem may occur due to conflict of SCSI ID with SCSI card/board. Please select SCSI ID except 7 and that of other devices.
- >When error or system hang-up occurs while copying files to MDDATA. Or MDH-10 is unstable.  
Certain SCSI PC cards need external supply for terminate power, which is out of SCSI specification. If such a SCSI PC card is used, SCSI communication may be unstable because MDH-10 does not supply terminate power for other devices. Please insert other SCSI device (AC powered ) supplying terminate power between SCSI PC card and MDH-10, or use other SCSI PC card with self supplied terminate power.